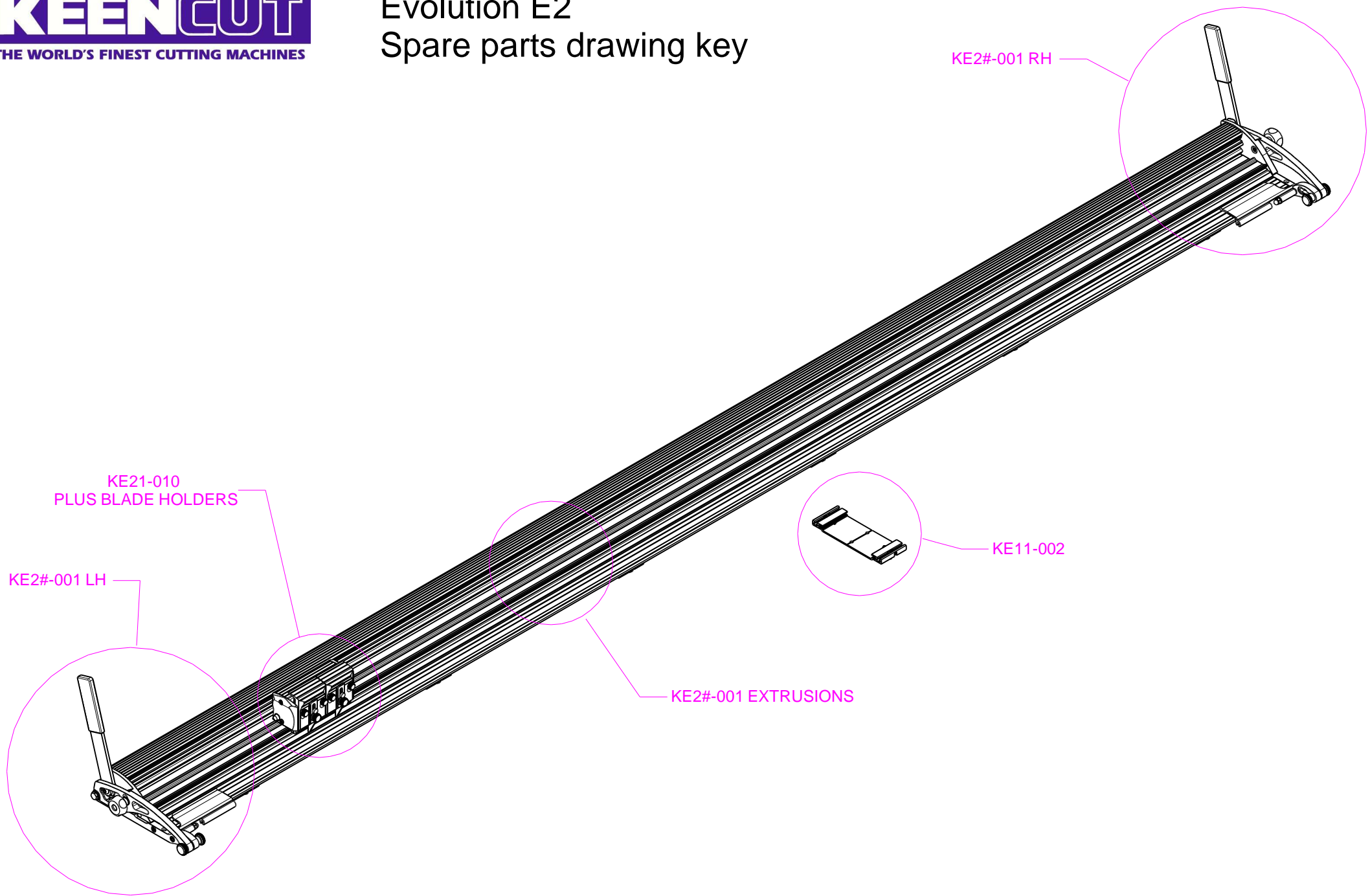
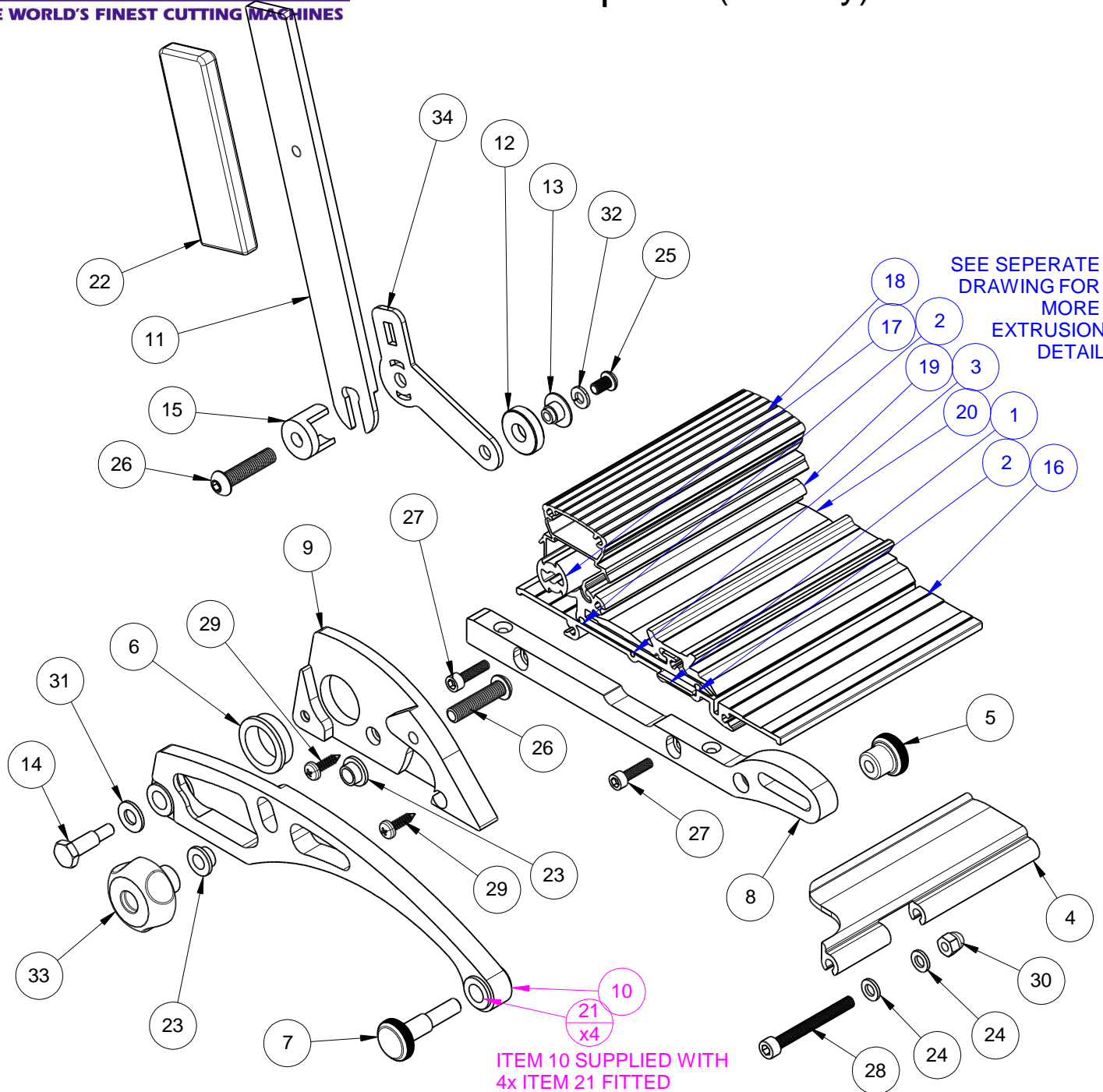


Evolution E2 Spare parts drawing key



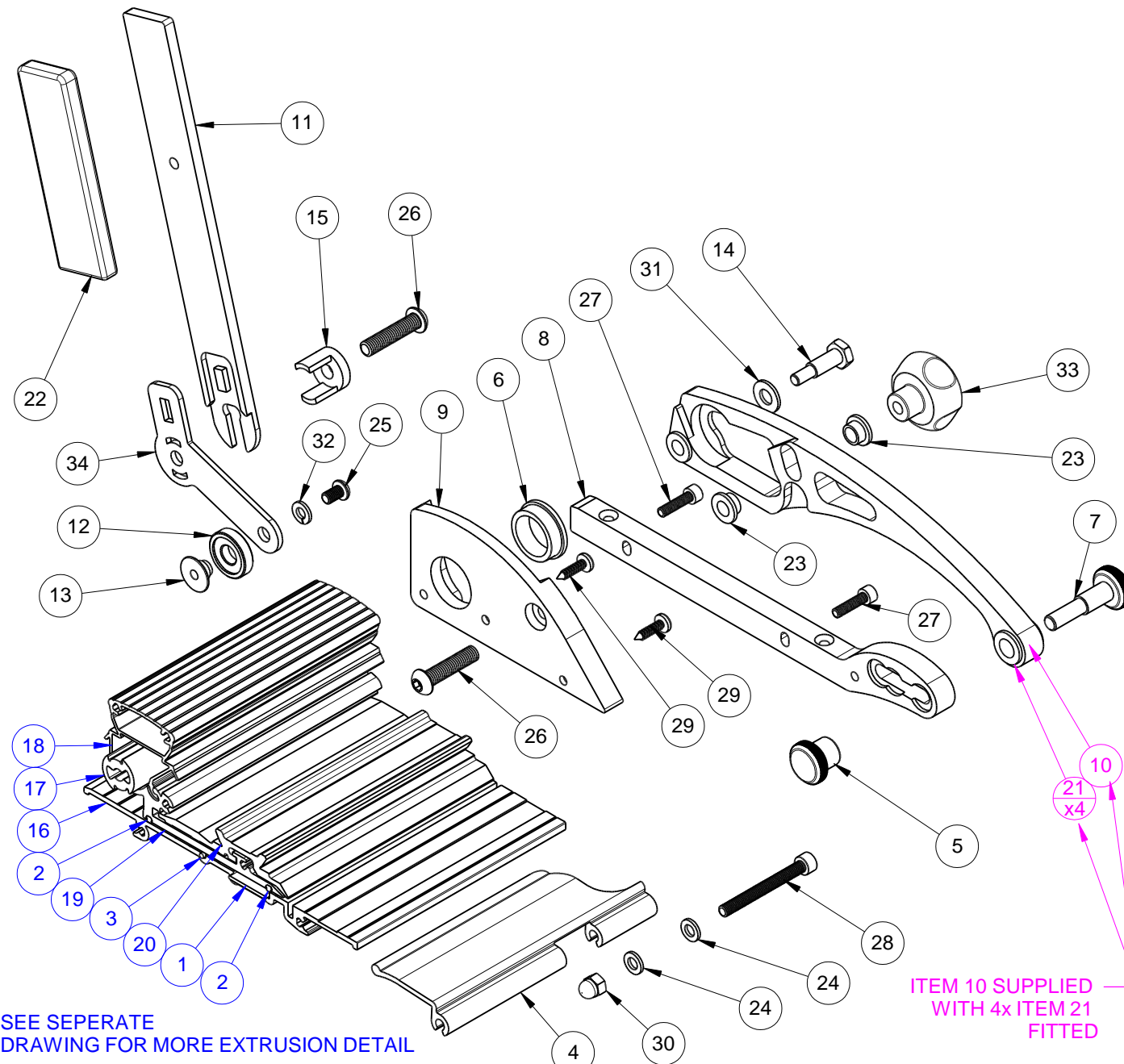
Evolution E2 Assembly KE2#-001 parts (LH only)



| Item | Qty | Code | Description | Comment |
|------|-----|----------|---------------------|---------------|
| 1 | 1 | EVOTCS | Cutting Strip | 2x 4m Lengths |
| 2 | 2 | SILYT | 'T' Grip Cord | 10m Length |
| 3 | 1 | SILYR | 'O' Grip Cord | 10m Length |
| 4 | 1 | KE21-113 | LH Flip Stop | |
| 5 | 1 | KE11-123 | Hinge Knob | |
| 6 | 1 | KE11-120 | Flanged Bush | |
| 7 | 1 | KE11-118 | Hinge Bolt | |
| 8 | 1 | KE11-113 | LH Fixed Arm | |
| 9 | 1 | KE11-111 | LH End Cap | |
| 10 | 1 | KE11-109 | LH Lift Arm | |
| 11 | 1 | KE11-104 | Lift and Hold Lever | |
| 12 | 1 | KE11-103 | Lift and Hold Wheel | |
| 13 | 1 | KE11-102 | M6 Flanged Bush | |
| 14 | 1 | KE11-101 | Shoulder Bolt | |
| 15 | 1 | KE11-100 | Torsion key | |
| 16 | 1 | KE1#-115 | Base Plate | |
| 17 | 1 | KE1#-108 | Torsion Bar | |
| 18 | 1 | KE1#-107 | Cutter Bar Grip | |
| 19 | 1 | KE1#-106 | Spine | |
| 20 | 1 | KE1#-105 | Slideway | |
| 21 | 4 | CA75-148 | Bearing | |
| 22 | 1 | CA75-147 | Handle Grip | |
| 23 | 2 | CA75-145 | Bearing | |
| 24 | 2 | CA75-013 | Plastic Washer | |
| 25 | 1 | CA30-320 | Screw | |
| 26 | 2 | CA30-315 | Screw | |
| 27 | 2 | CA30-304 | Screw | |
| 28 | 1 | CA30-296 | Screw | |
| 29 | 2 | CA30-249 | Screw | |
| 30 | 1 | CA30-187 | Nyloc Nut | |
| 31 | 1 | CA30-083 | Washer | |
| 32 | 1 | CA30-075 | SC Washer | |
| 33 | 1 | CA25-367 | Handknob | |
| 34 | 1 | CA10-416 | Lift and Hold Leg | |

Evolution E2 Assembly

KE2#-001 parts (RH only)

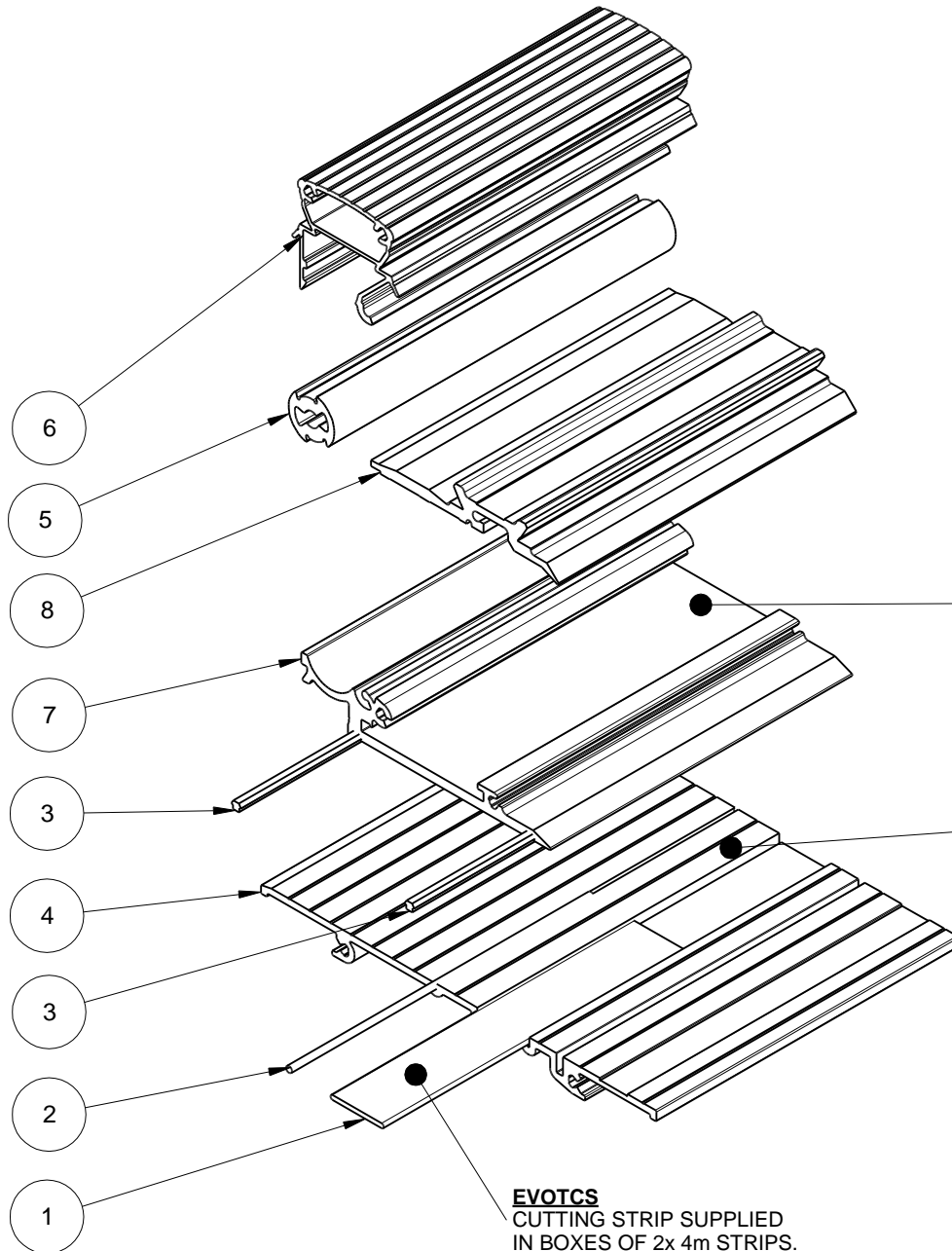


| Item | Qty | Code | Description | Comment |
|------|-----|----------|---------------------|--------------|
| 1 | 1 | EVOTCS | Cutting Strip | 2x 4m Length |
| 2 | 2 | SILYT | 'T' Grip Strip | 10m Length |
| 3 | 1 | SILYR | 'O' Grip Strip | 10m Length |
| 4 | 1 | KE21-112 | RH Flip Stop | |
| 5 | 1 | KE11-123 | Hinge Knob | |
| 6 | 1 | KE11-120 | Flanged Bush | |
| 7 | 1 | KE11-118 | Hinge Bolt | |
| 8 | 1 | KE11-114 | RH Fixed Arm | |
| 9 | 1 | KE11-112 | RH End Cap | |
| 10 | 1 | KE11-110 | RH Lift Arm | |
| 11 | 1 | KE11-104 | Lift and Hold Lever | |
| 12 | 1 | KE11-103 | Lift and Hold Wheel | |
| 13 | 1 | KE11-102 | M6 Flanged Bush | |
| 14 | 1 | KE11-101 | Shoulder Bolt | |
| 15 | 1 | KE11-100 | Torsion key | |
| 16 | 1 | KE1#-115 | Base Plate | |
| 17 | 1 | KE1#-108 | Torsion Bar | |
| 18 | 1 | KE1#-107 | Cutter Bar Grip | |
| 19 | 1 | KE1#-106 | Spine | |
| 20 | 1 | KE1#-105 | Slideway | |
| 21 | 2 | CA75-148 | Bearing | |
| 22 | 1 | CA75-147 | Handle Grip | |
| 23 | 4 | CA75-145 | Bearing | |
| 24 | 2 | CA75-013 | Plastic Washer | |
| 25 | 1 | CA30-320 | Screw | |
| 26 | 2 | CA30-315 | Screw | |
| 27 | 2 | CA30-304 | Screw | |
| 28 | 1 | CA30-296 | Screw | |
| 29 | 2 | CA30-249 | Screw | |
| 30 | 1 | CA30-187 | Nyloc Nut | |
| 31 | 1 | CA30-083 | Washer | |
| 32 | 1 | CA30-075 | SC Washer | |
| 33 | 1 | CA25-367 | Handknob | |
| 34 | 1 | CA10-416 | Lift and Hold Leg | |

SEE SEPERATE DRAWING FOR MORE EXTRUSION DETAIL

ITEM 10 SUPPLIED WITH 4x ITEM 21 FITTED

Evolution E2 Assembly KE2#-001 parts



| Item | Qty | Code | Description | Comment |
|------|-----|----------|-----------------|---------------|
| 1 | 1 | EVOTCS | Cutting Strip | 2x 4m Lengths |
| 2 | 1 | SILYT | 'T' Grip Strip | 10m Lengths |
| 3 | 2 | SILYR | 'O' Grip Strip | 10m Lengths |
| 4 | 1 | KE1#-115 | Base Plate | |
| 5 | 1 | KE1#-108 | Torsion Bar | |
| 6 | 1 | KE1#-107 | Cutter Bar Grip | |
| 7 | 1 | KE1#-106 | Spine | |
| 8 | 1 | KE1#-105 | Slideway | |

SILYT

2 STRIPS OF 'T' SHAPED YELLOW SILICON CORD FITS IN THE UNDERSIDE OF THE CUTTER BAR. SUPPLIED IN 10m LENGTHS.

SILYR

1 STRIP OF ROUND YELLOW SILICON CORD FITS IN THE BASE PLATE. SUPPLIED IN 10m LENGTHS.

EVOTCS

CUTTING STRIP SUPPLIED IN BOXES OF 2x 4m STRIPS.

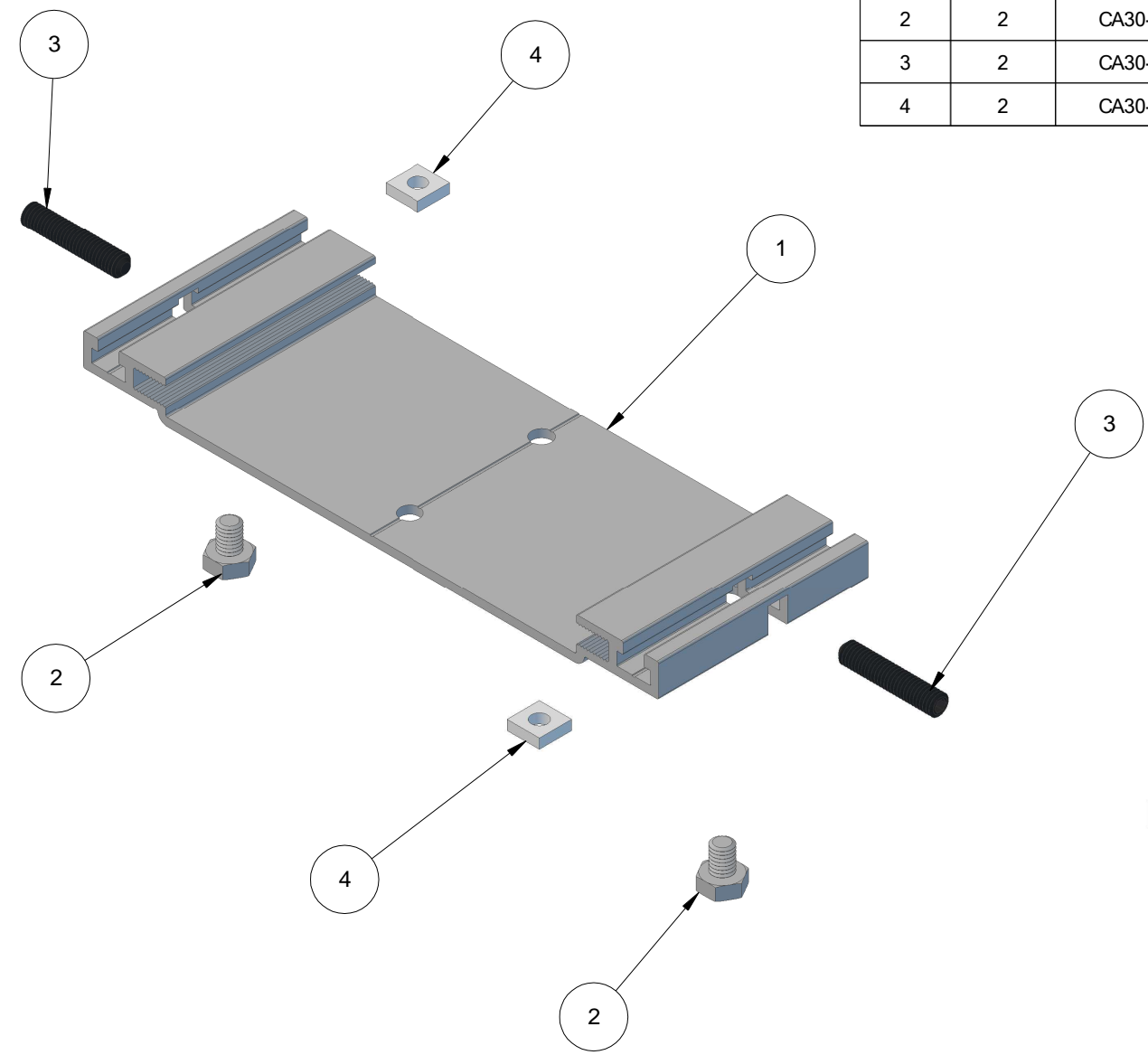
KEY

KE22-*** FOR 1.6m EVOLUTION E2
 KE23-*** FOR 2.1m EVOLUTION E2
 KE24-*** FOR 2.6m EVOLUTION E2
 KE25-*** FOR 3.1m EVOLUTION E2
 KE26-*** FOR 3.6m EVOLUTION E2

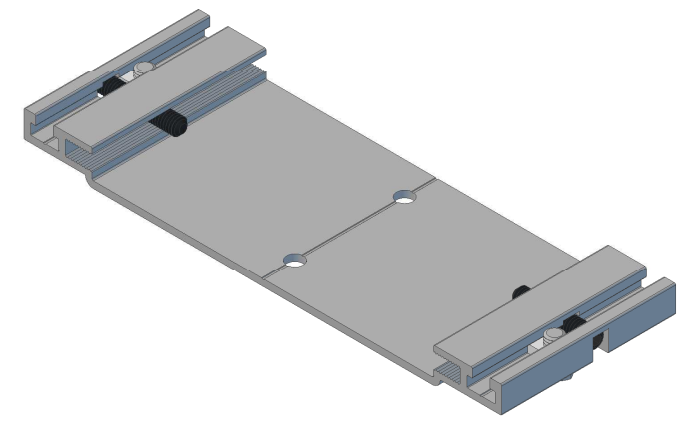
Bracket Assembly

KE11-002

| Item | Qty | Code | Description | Comment |
|------|-----|----------|---------------|---------|
| 1 | 1 | KE11-116 | Base Bracket | |
| 2 | 2 | CA30-326 | Jacking Screw | |
| 3 | 2 | CA30-311 | Screw | |
| 4 | 2 | CA30-069 | Nut | |



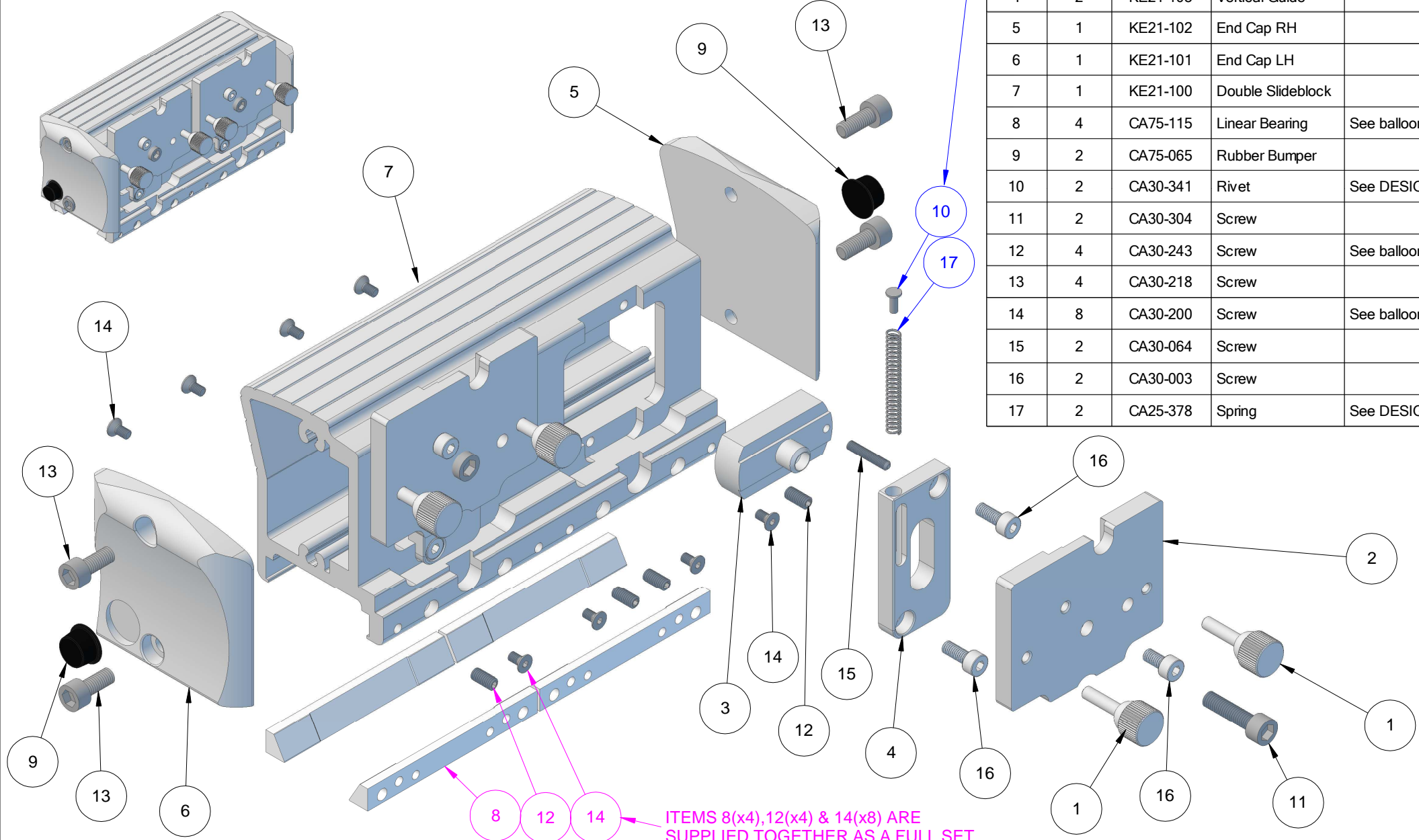
| Machine | No. of Base Brackets |
|---------|----------------------|
| EV2160 | 3 |
| EV2210 | 4 |
| EV2260 | 5 |
| EV2310 | 6 |
| EV2360 | 7 |



Evo II Double Slideblock Assembly KE21-010

DESIGN NOTE:
ITEM 10 WAS ADDED ON 7/9/2016 Ser. S7412
IF ITEM 17 IS REPLACED ON OLDER MACHINES
THEN ITEM 10 SHOULD ALSO BE SUPPLIED
AND THE MACHINE UPDATED.

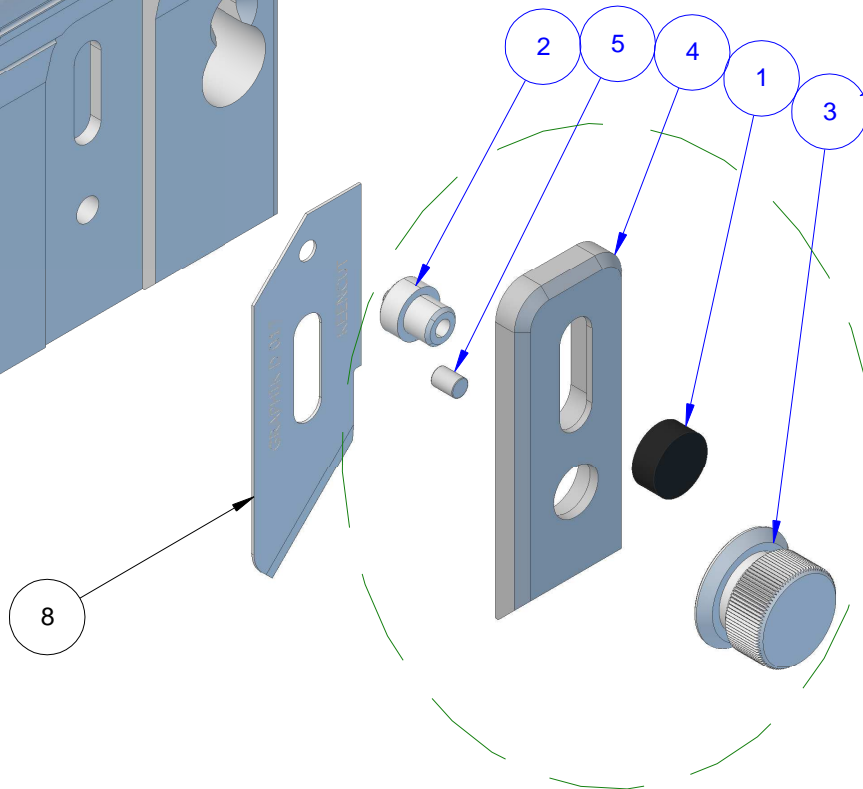
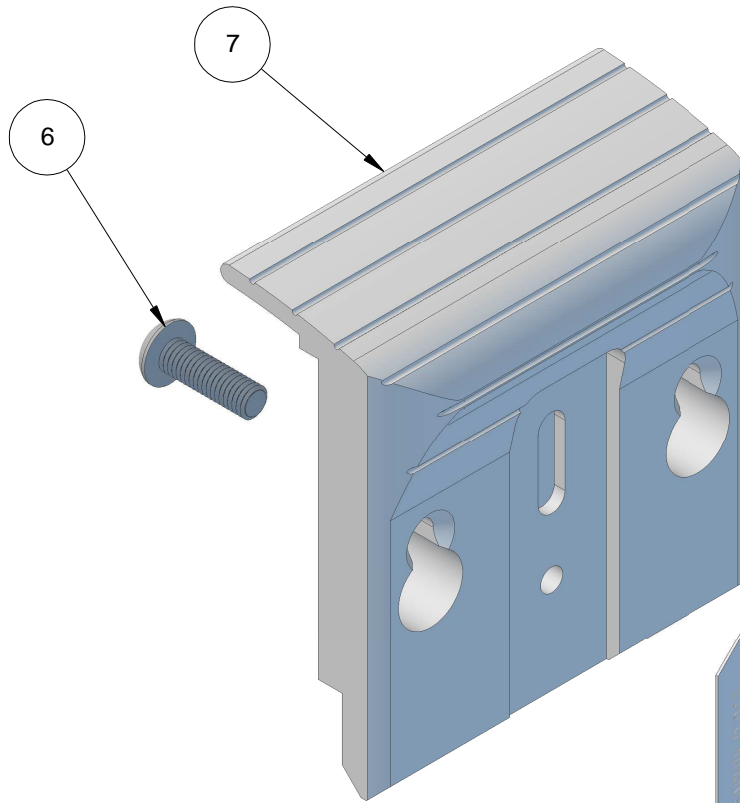
| Item | Qty | Code | Description | Comment |
|------|-----|----------|-------------------|------------------|
| 1 | 4 | KE21-106 | Clamping Knob | |
| 2 | 2 | KE21-105 | Slide Plate | |
| 3 | 2 | KE21-104 | Plastic Slider | |
| 4 | 2 | KE21-103 | Vertical Guide | |
| 5 | 1 | KE21-102 | End Cap RH | |
| 6 | 1 | KE21-101 | End Cap LH | |
| 7 | 1 | KE21-100 | Double Slideblock | |
| 8 | 4 | CA75-115 | Linear Bearing | See balloon note |
| 9 | 2 | CA75-065 | Rubber Bumper | |
| 10 | 2 | CA30-341 | Rivet | See DESIGN NOTE |
| 11 | 2 | CA30-304 | Screw | |
| 12 | 4 | CA30-243 | Screw | See balloon note |
| 13 | 4 | CA30-218 | Screw | |
| 14 | 8 | CA30-200 | Screw | See balloon note |
| 15 | 2 | CA30-064 | Screw | |
| 16 | 2 | CA30-003 | Screw | |
| 17 | 2 | CA25-378 | Spring | See DESIGN NOTE |



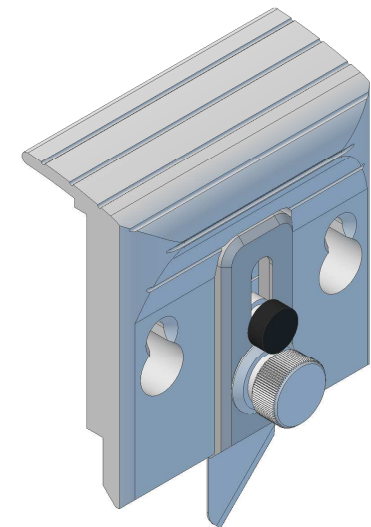
Graphik Blade Holder Assembly

KE21-011 (Sales Code VABHG)

| Item | Qty | Code | Description | Comment |
|------|-----|----------|----------------------|------------------|
| 1 | 1 | CA75-069 | Knoblet | See balloon note |
| 2 | 1 | KE21-107 | Blade adjuster | See balloon note |
| 3 | 1 | KE21-116 | Blade Clamp Knob | See balloon note |
| 4 | 1 | KE21-109 | Blade Clamp Plate | See balloon note |
| 5 | 1 | CA25-379 | Magnet | See balloon note |
| 6 | 1 | CA30-254 | Screw | |
| 7 | 1 | KE21-110 | GRAPHIK Blade Holder | |
| 8 | 1 | CA50-032 | GRAPHIK blade | Not included |

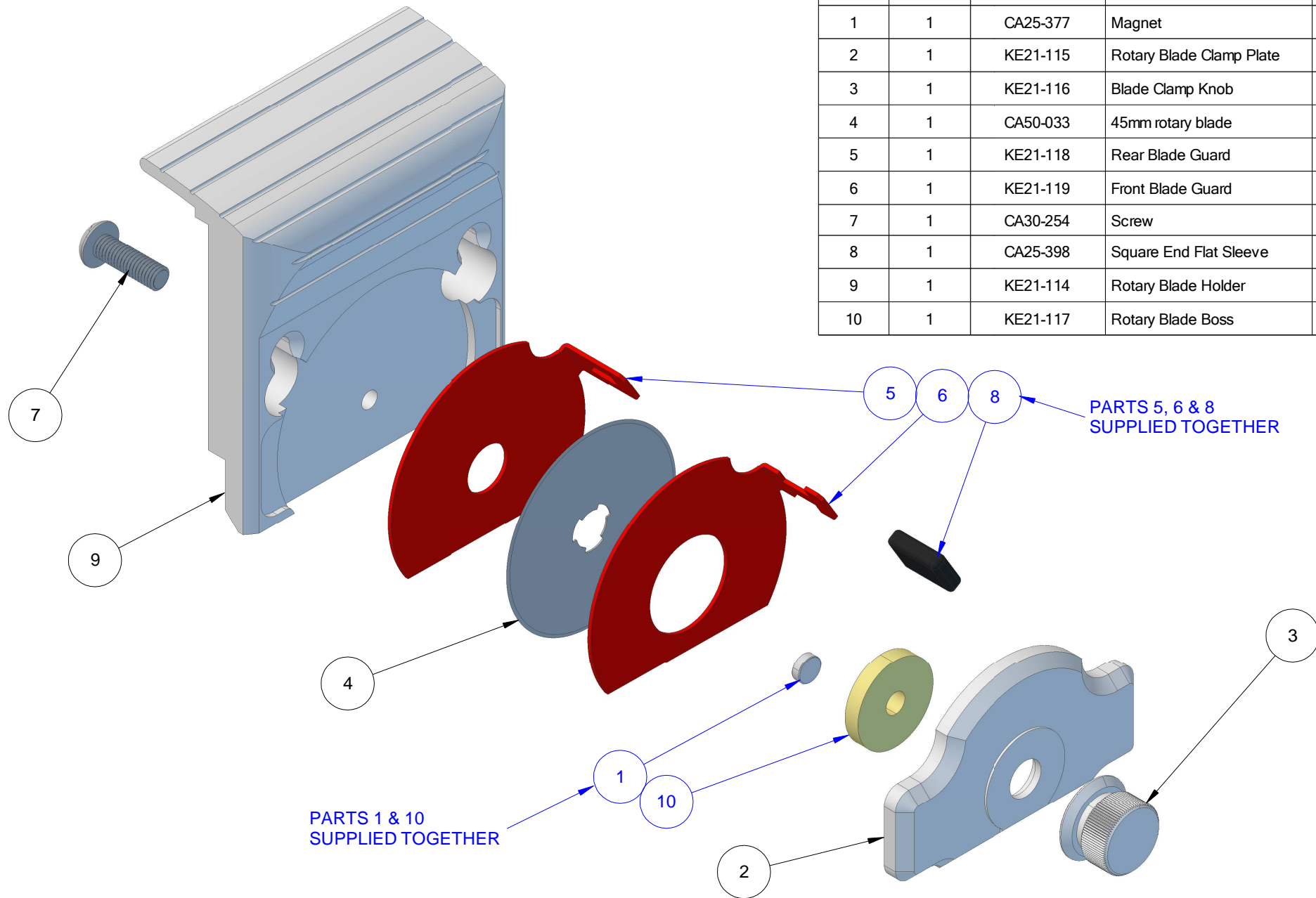


PARTS 1 TO 5 ONLY
AVAILABLE ASSEMBLED
TOGETHER.



Textile Tool Holder Assembly KE21-012 (Sales Code VABHC)

| Item | Qty | Code | Description | Comment |
|------|-----|----------|--------------------------|---------------------|
| 1 | 1 | CA25-377 | Magnet | Supplied with 10 |
| 2 | 1 | KE21-115 | Rotary Blade Clamp Plate | |
| 3 | 1 | KE21-116 | Blade Clamp Knob | |
| 4 | 1 | CA50-033 | 45mm rotary blade | |
| 5 | 1 | KE21-118 | Rear Blade Guard | Supplied with 6 & 8 |
| 6 | 1 | KE21-119 | Front Blade Guard | Supplied with 5 & 8 |
| 7 | 1 | CA30-254 | Screw | |
| 8 | 1 | CA25-398 | Square End Flat Sleeve | Supplied with 5 & 6 |
| 9 | 1 | KE21-114 | Rotary Blade Holder | |
| 10 | 1 | KE21-117 | Rotary Blade Boss | Supplied with 1 |



Medium Duty Blade Holder Assy L-R

KE21-013 (Sales Code VABHML)

| Item | Qty | Code | Description | Comment |
|------|-----|----------|------------------------------|----------------------|
| 1 | 2 | CA25-377 | Magnet | Supplied with 2 or 8 |
| 2 | 1 | KE21-129 | Blade Guide | Supplied with 1 |
| 3 | 1 | CA25-405 | MD Holder Blade Depth Label | Part of set |
| 4 | 1 | CA30-045 | Screw | |
| 5 | 1 | CA75-010 | Knoblet | Supplied with 6 |
| 6 | 1 | CA30-218 | Screw | Supplied with 5 |
| 7 | 2 | CA30-188 | Screw | |
| 8 | 1 | KE21-127 | Blade Clamp Support | Supplied with 1 |
| 9 | 1 | KE21-128 | Blade Clamp | |
| 10 | 1 | KE21-126 | Medium Duty Blade Holder L-R | |
| 11 | 1 | CA50-019 | Med Duty Blade | Not included |

